



ALDEBARAN® HI-LINE LED SERIE

The **HI-LINE LED SERIES** is a new LED based hall illumination which finds its optimal place of action in a height of up to approx. 8 meters.

An excellent luminous efficiency with low power consumption at the same time underlines the simple recipe which is the basis for the construction of this luminaire: Modest elegance in combination with excellent performance and an efficiency level that is quite convincing. The results of these ingredients are the products of the **HI-LINE LED SERIES**. As much luminaire as possible, and as much luminous efficiency as possible.

As an alternative to the conventional high bay downlights that take significantly more space, the **HI-LINE LED SERIES** provides considerably more homogeneous light thanks to its specially calculated light beam characteristics.



PRODUCT FEATURES

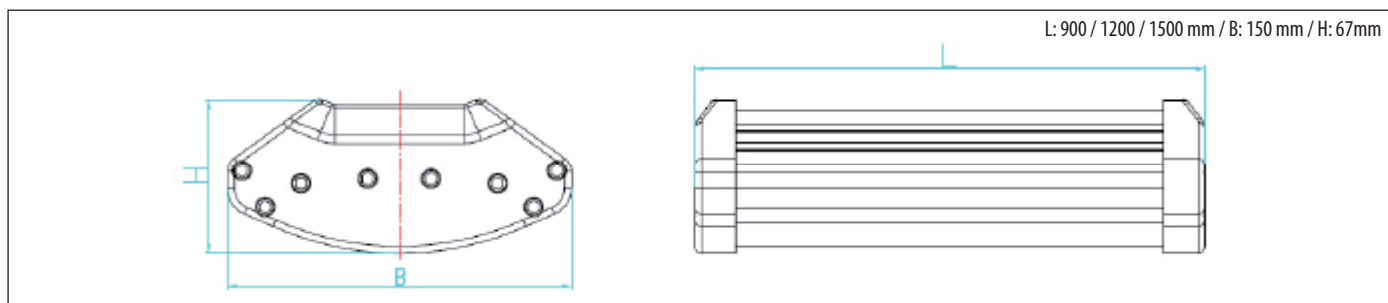
- Excellent, glare-free light performance
- Compact replacement for hall downlights
- Can be used outdoors or indoors (*IP65*)
- Robust and insensitive aluminum housing
- Maintenance-free, illuminant replacement omitted
- Integrated dimming function

Technical Data

Electrical Data	HI-LINE LED 120 W	HI-LINE LED 150 W	HI-LINE LED 200 W
Operating voltage	100-240 V AC 50/60 Hz	100-240 V AC 50/60 Hz	100-240 V AC 50/60 Hz
Power consumption approx.	120 W	150 W	200 W
Photometric Data			
Illuminant	SMD LED	SMD LED	SAM 5630
Dimmable	1-10 V	1-10 V	1-10 V
Luminous flux (REAL Lumen)*	11.500 lm	14.000 lm	19.000 lm
Colour temperature approx.	5000 K	5000 K	5000 K
CRI	> 80	> 80	> 80
Life time approx.	50.000 hrs	50.000 hrs	50.000 hrs
General Data			
Housing	Aluminium milky cover	Aluminium milky cover	Aluminium milky cover
Ambient temperature	-40 °C to +50 °C	-40 °C to +50 °C	-40 °C to +50 °C
Dimensions (LxWxH) approx.	900 x 150 x 67 mm	1200 x 150 x 67 mm	1500 x 150 x 67 mm
Weight approx.	6 kg	8 kg	9 kg
IP code	IP65	IP65	IP65
Item-No.:	1410000829	1410000830	1410000831

*Lumen = Lm / In the „REAL Lumen“ is REAL measured light output quantities.

DIMENSION



PHOTOMETRIC DATA

